



## *Simcoe - N4416*

The Flapperless Simcoe is the only HET round front two-piece toilet that features the patented leak-free Flapperless flushing system. Our leak-free Flapperless design paired with a 4.8L flush makes the Simcoe toilet one of the most water efficient toilets available. The

Flapperless name has become synonymous with performance. Homeowners and industry professionals have come to know the dependability and quality of Flapperless products.

### *Simple Design - What you would expect from a Flapperless*

The versatile and functional design of the Flapperless Simcoe toilet delivers a perfect combination of performance and value.

The Simcoe has a flexible installation size, it can fit in a 10 ½" to 12" rough-in.

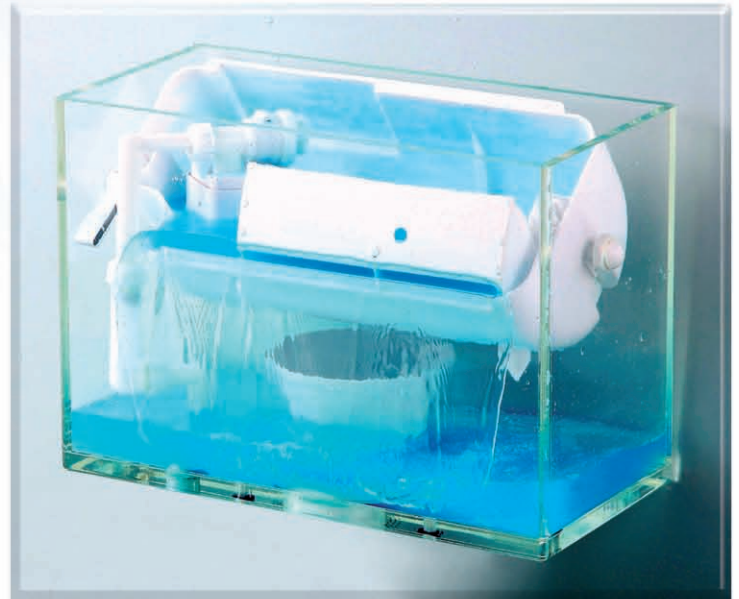
### *Flapperless Performance Pays!*

The Flapperless Simcoe along with other Flapperless toilets are eligible for consumer tax rebates in participating municipalities.

### *Stop Toilet Leaks - Just Think of the Savings*

Flexible seals, such as the flapper valve, corrode over time and cause toilet leakage. The Flapperless tip-bucket design ensures that the Flapperless toilet will not leak, since it does not use any flexible seals to control the flushing action. According to multiple sources, toilet leakage is the most prevalent form of household water waste. In most cases, a barely audible toilet leak can waste as much as 200,000L of water per year\*.

\*Source: CMHC Household Guide to Water Efficiency



WATER EFFICIENCY BY DESIGN...

1-800-668-4420

WWW.WATERMATRIX.COM

## Features

- Fits in a 267mm (10.5") to 305mm (12.0") rough-in
- 260mm x 512mm (10.2" x 20.0") foot print
- Unique leak-free Flapperless tank design
- 4.8 Litres Per Flush
- Non-adjustable flush
- No flexible seals or flapper that will require frequent maintenance
- 10 year warranty on tank trim components
- Lifetime warranty on ceramics
- 1 year warranty on fill valve
- Saves more water than any conventional 4.8L toilet
- Handle can be on either the left or right side

## Codes and Standards

- Warnock Hersey – cW/Hus approved
- Tested to ASME A112.19.2 and CSA B45 series standards
- Maximum Performance (MaP) Testing – Approved
- Eligible for Municipal Rebates

## Colours

- White

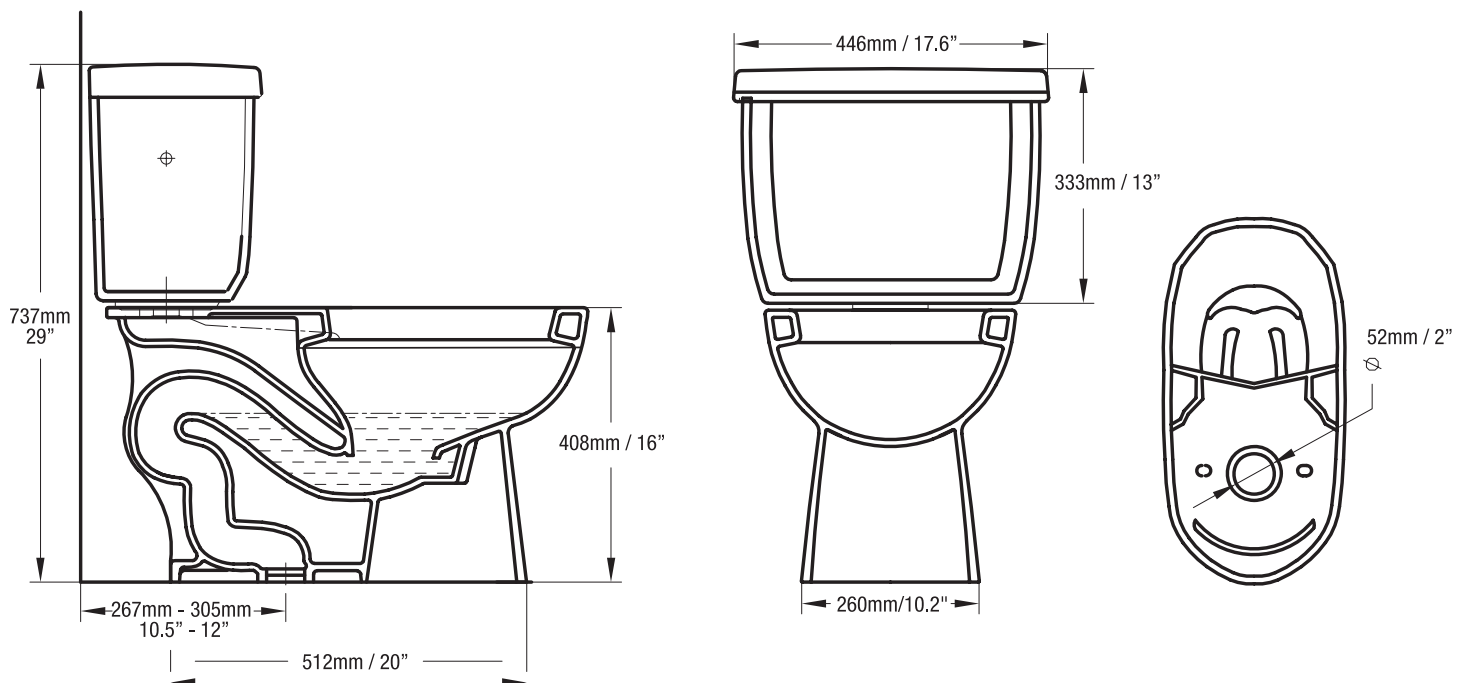
## Recommended Accessories for Installation

- Seat
- Wax Ring
- Water Supply Line
- Flange Bolts

## N4416 Round Front Bowl Shipping Dimensions

Bowl:  
715mm x 400mm x 430mm 20.4 Kgs  
28.25" x 15.75" x 17" 45.0 lbs

Tank:  
460mm x 275mm x 375mm 16.3 Kgs  
18.25" x 10.75" x 14.75" 36.0 lbs



331 Trowers Road, Unit 3,  
Woodbridge ON Canada L4L 6A2  
Phone: (905) 850-8080 • Fax: (905) 850-9100  
Toll-Free: 1-800-668-4420  
sales@watermatrix.com

**WATER MATRIX**<sup>TM</sup>  
WATER EFFICIENCY BY DESIGN...